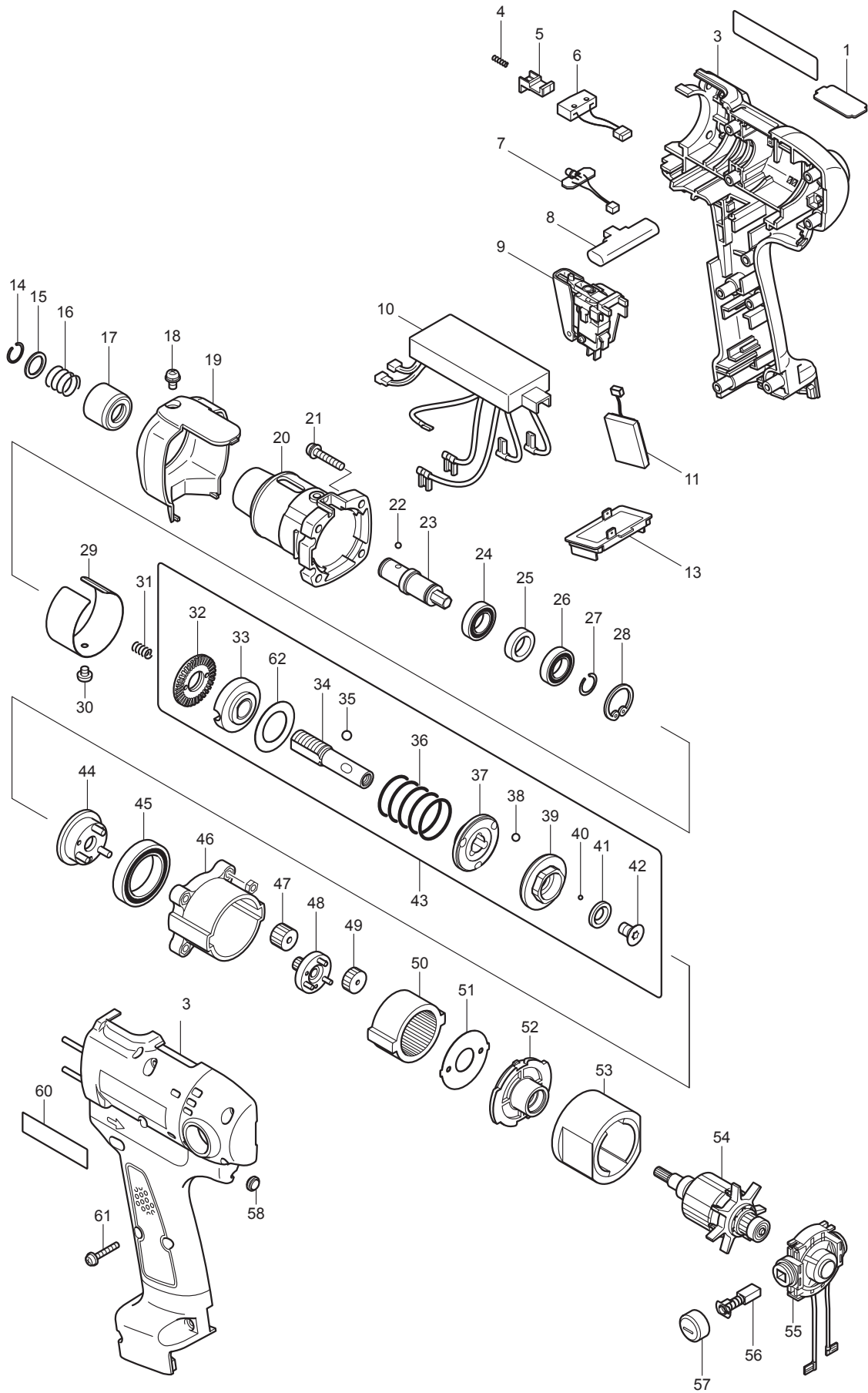




10 - 2011  
BFT040FZ  
9.6V SCREWDRIVER



Item No.	Type	Sub	Part No.	Description	Qty	Unit
1	1		345343-6	PLATE G, 1 - 4Nm	1	PC.
	2		345403-4	PLATE G, 1 - 3.5Nm	1	PC.
2			850531-7	NAME PLATE BFT040F	1	PC.
3			183629-8	HOUSING SET	1	SET
		INC.		Item No. 60		
4			233025-1	COMPRESSION SPRING 2	1	PC.
5			418002-6	SWITCH LEVER	1	PC.
6			638274-9	SWITCH UNIT	1	PC.
7			631513-6	LED CIRCUIT	1	PC.
8			417511-2	F/R CHANGE LEVER	1	PC.
9			650536-5	SWITCH C3Z-5-01	1	PC.
10	1		631560-7	* CONTROLLER	1	PC.
	2		638901-8	* CONTROLLER UNIT	1	PC.
11			631514-4	BUZZER CIRCUIT	1	PC.
13			643800-1	TERMINAL	1	PC.
14			231965-7	RING SPRING 10	1	PC.
15			267143-3	FLAT WASHER 11	1	PC.
16			233005-7	COMPRESSION SPRING 13	1	PC.
17			162218-2	SLEEVE	1	PC.
18			265171-2	PAN HEAD SCREW M4X8	1	PC.
19	2		158126-3	CLUTCH CASE COVER COM (OLD# 418289-0)	1	PC.
		INC.	892900-6	CAUTION LABEL	1	PC.
20			317694-7	CLUTCH CASE	1	PC.
21			265145-3	+ PAN HEAD SCREW M4X22	4	PC.
22			216019-1	STEEL BALL 3	2	PC.
23			324377-2	SPINDLE M	1	PC.
24			211136-2	BALL BEARING 6801LLB	1	PC.
25			257011-8	RING 12	1	PC.
26			211136-2	BALL BEARING 6801LLB	1	PC.
27			231951-8	RING SPRING 11	1	PC.
28			962111-8	RETAINING RING R-21	1	PC.
29			345349-4	RING 38G	1	PC.
30			265127-5	+ PAN HEAD SCREW M4X4	1	PC.
31			233019-6	COMPRESSION SPRING 5	1	PC.
32	1		324281-5	LOCK NUT M12 - N/L/A	1	PC.
	2		324834-0	LOCK NUT M12	1	PC.
33	1		153442-8	ADJUST RING COMPLETE - N/L/A	1	PC.
	2		158408-3	ADJUST RING COMPLETE	1	PC.
34			324296-2	SPINDLE	1	PC.
35			216018-3	STEEL BALL 5.0	3	PC.
36			233385-1	COMPRESSION SPRING 19D	1	PC.
37			223146-7	CAM D	1	PC.
38			216024-8	STEEL BALL 4	3	PC.
39			223143-3	CAM C	1	PC.
40			216019-1	STEEL BALL 3	13	PC.
41			267247-1	FLAT WASHER 7	1	PC.
42			266305-0	C.S HEAD SCREW M5X10	1	PC.
43	1		125215-9	CLUTCH ASS'Y D - N/L/A	1	PC.
		INC.		Item No. 32-42,62		
	2		125391-9	CLUTCH ASS'Y D	1	PC.
		INC.		Item No. 32-42,62		
44			153443-6	CARRIER COMPLETE A	1	PC.
45			211375-4	BALL BEARING 6805LLB	1	PC.
46			418004-2	GEAR CASE	1	PC.
47			227050-2	SPUR GEAR 13	3	PC.
48			153684-4	SPUR GEAR 20 COMPLETE C	1	PC.
49			227104-5	SPUR GEAR 15	3	PC.
50			227048-9	INTERNAL GEAR 47	1	PC.
51			267774-8	LOCK WASHER	1	PC.

Item No.	Type	Sub	Part No.	Description	Qty	Unit
52			418003-4	MOTOR BRACKET	1	PC.
53			638191-3	YOKE UNIT	1	PC.
54			619130-2	ARMATURE	1	PC.
55			638195-5	ENDBELL COMPLETE	1	PC.
56	1		193466-2	CARBON BRUSH CB-434 2PC/SET (W/O ORIGIN)	1	SET
	2		195020-8	CARBON BRUSH CB-434 2PC/SET (W/ ORIGIN)	1	SET
57			643933-2	BRUSH HOLDER CAP	2	PC.
58			416764-0	LENS	1	PC.
60			819063-3	MAKITA LABEL	1	PC.
61			265095-2	PAN HEAD SCREW M3X20	8	PC.
62			267276-4	FLAT WASHER 18	1	PC.
63			125231-1	GEAR ASS'Y E	1	PC.
		INC.		Item No. 44-52		

### **ACCESSORIES**

**- See catalogue or visit [www.makita.ca](http://www.makita.ca) for more optional accessories -**

A01	1		765025-8	TORQUE ADJUST TOOL	1	PC.
	2		765027-4	TORQUE ADJUST TOOL	1	PC.
A02			193531-7	9.6V NI-MH BATTERY BH0920A	1	PC.
			193536-7	9.6V NI-MH BATTERY BH0933A	1	PC.
A03	1		DC18RA	CHARGER DC18RA	1	PC.
	2		DC18RC	CHARGER DC18RC	1	PC.
			DC24SC	CHARGER DC24RA	1	PC.
			DC18SD	CHARGER DC18SD	1	PC.
			DC18SE	AUTOMOTIVE CHARGER DC18SE	1	PC.
A04			193681-8	REFRESHING ADAPTOR ADP03	1	PC.
A05			418423-2	PROTECTOR (YELLOW)	1	PC.
			418424-0	PROTECTOR (BLUE)	1	PC.
			418425-8	PROTECTOR (RED)	1	PC.
A06			193874-7	GRIP BASE SET	1	PC.
		INC.	266287-6	SQUARE HEAD BOLT M6X25	1	PC.
		INC.	317552-7	GRIP BASE	1	PC.
		INC.	345381-8	BELT	1	PC.
A07			273443-1	GRIP 37	1	PC.